

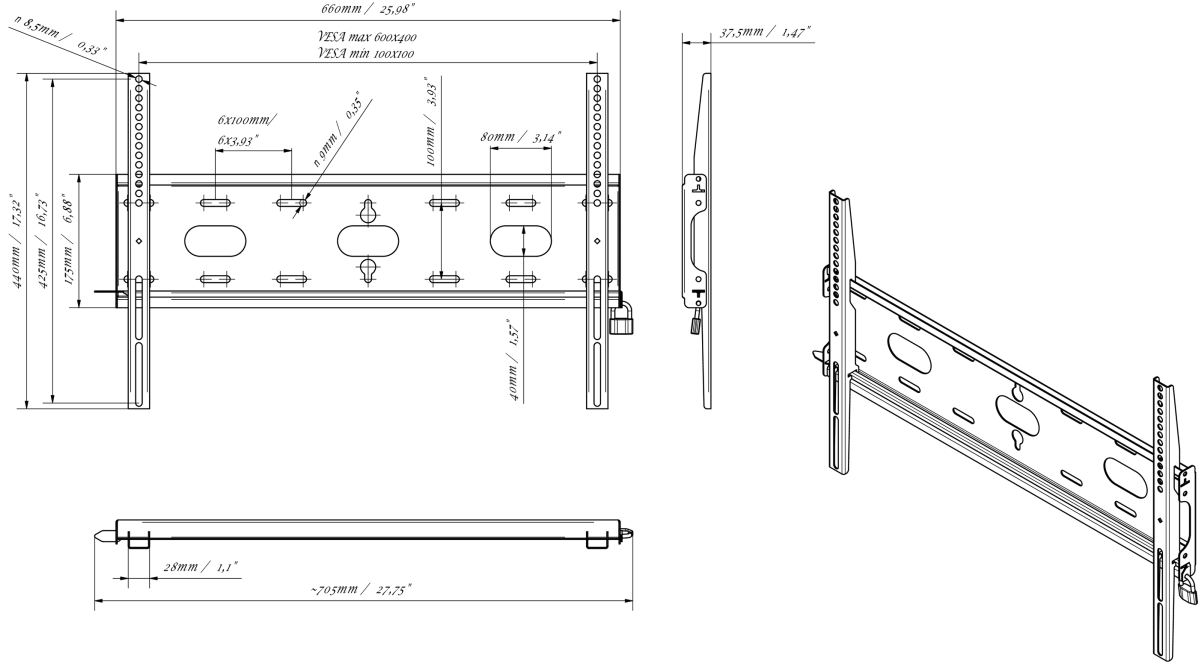
## Evrensel duvar montajı, maks. 600x400mm. 125kg

With the easy and quick fixation system, this wall mount guarantees safe usage in environments like schools and other public utility buildings.

### 01 TEKNİK ÖZELLİK

Maksimum ağırlık kapasitesi	125kg / monitör
VESA minimum	100 x 100mm
VESA maksimum	600 x 400mm

# MD-WM6040



## 02 ÖLÇÜLER / AĞIRLIK

Ürün boyutları G x Y x D 660 x 440 x 37.5mm

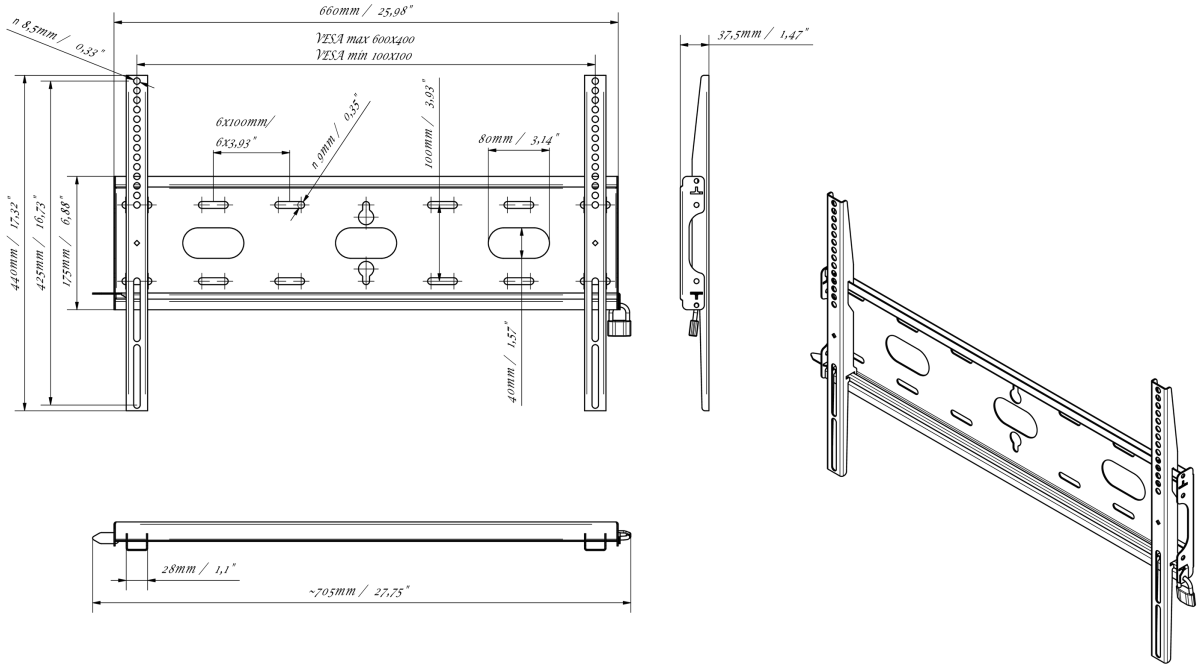
Kutu boyutları G x Y x D 690 x 220 x 40mm

Ağırlık (kutu hariç) 2.3kg

Ağırlık (kutu ile birlikte) 3kg

EAN kodu 5902841107106

# MD-WM6040



All trademarks and registered trademarks acknowledged. E & O E. Specification subject to change without notice. All LCD's comply with ISO-9241-307:2008 in connection with pixel defects.

© IIYAMA CORPORATION. ALL RIGHTS RESERVED