

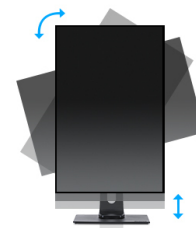
25” 1920 x 1200 monitor featuring IPS panel and a height adjustable stand

Providing excellent picture performance, the ProLite XUB2595WSU is a great choice for office, graphics and CAD applications. The monitor features an IPS Technology LED panel offering 1920 x 1200 native resolution with accurate colour reproduction and wide viewing angles. The blue light reducer function and flicker-free LED's help to significantly limit eye fatigue typically caused by working with a computer screen. The 150mm height adjustable stand ensures you can easily adjust the screen position to your preferences. It is a great choice for both multi-monitor Digital Signage and office applications.



IPS

IPS displays are best known for wide viewing angles and natural, highly accurate colours. They are especially suited for colour-critical applications.



HAS (150mm) + Pivot (rotation both sides)

With a height adjustable stand you will create an ergonomic work posture and position that meets all health and safety requirements. This will not only prevent any health issues but will also increase your productivity. The pivot function allows the screen to rotate from landscape to portrait orientation. This functionality can be useful if the application requires more height than width.

01 DISPLAY CHARACTERISTICS

Design	3-side borderless
Diagonal	25", 63.36cm
Panel	IPS LED, matte finish
Native resolution	1920 x 1200 (2.3 megapixel WUXGA)
Aspect ratio	16:10
Panel brightness	300 cd/m ²
Static contrast	1000:1
Advanced contrast	5M:1
Response time (GTG)	4ms
Viewing zone	horizontal/vertical: 178°/178°, right/left: 89°/89°, up/down: 89°/89°
Colour support	16.7mln
Horizontal Sync	30 - 89kHz
Viewable area W x H	535.4 x 338.7mm, 21.1 x 13.3"
Pixel pitch	0.279x0.282mm
Colour	matte, black

02 INTERFACES / CONNECTORS / CONTROLS

Signal input	VGA x1 (max. 1920 x 1200 @60Hz) HDMI x1 (max. 1920 x 1200 @60Hz) DisplayPort x1 (max. 1920 x 1200 @75Hz)
USB HUB	x2 (v.2.0)
HDCP	yes
Headphone connector	yes

03 FEATURES

Blue light reducer	yes
Flicker free	yes
Adaptive Sync support	DisplayPort @48-75Hz
OSD languages	EN, DE, FR, RU, JP, NL, PL
Control buttons	Auto/Signal Select, -/ECO, +/Volume, Menu, Power
User controls	luminance (contrast, brightness, i-Style colour, ACR, ECO), image settings (pixel clock, phase, H. position, V. position, aspect ratio), colour settings (gamma, 6-Axis, colour temp.), OSD (H. position, V. position, OSD time, language), extra (reset, DDC/CI, signal select, OD, audio source, opening logo, FreeSync, information)
Speakers	2 x 2W
Convenience	Kensington-lock™ prepared, DDC/CI, DDC2B, Mac OSX

04 MECHANICAL

Display position adjustments	height, swivel, tilt, pivot (rotation both sides)
Height adjustment	150mm
Rotation (PIVOT function)	90°
Swivel stand	90°; 45° left; 45° right
Tilt angle	23° up; 5° down
VESA mounting	100 x 100mm
Cable management system	yes

05 ACCESSORIES INCLUDED

Cables	power, USB, HDMI, DP
Other	quick start guide, safety guide

06 POWER MANAGEMENT

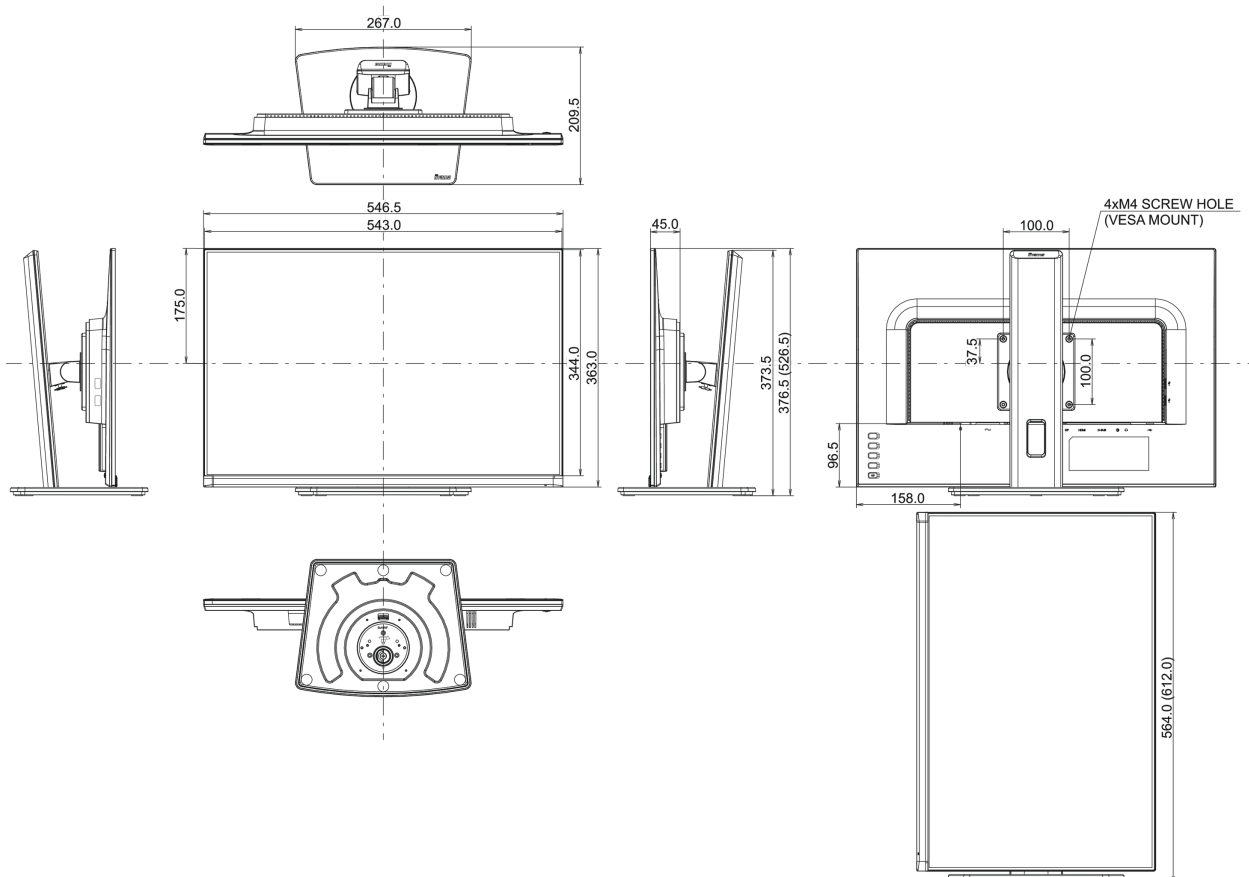
Power supply unit	internal
Power supply	AC 100 - 240V, 50/60Hz
Power usage	28W typical, 0.5W stand by, 0.3W off mode

07 SUSTAINABILITY

Regulations	TCO Certified, CE, TÜV-Bauart, EAC, PSE, RoHS support, ErP, WEEE, VCCI, REACH, UKCA
Energy efficiency class (Regulation (EU) 2017/1369)	F
REACH SVHC	above 0.1%: Lead

08 DIMENSIONS / WEIGHT

Product dimensions W x H x D	546.5 x 376.5 (526.5) x 209.5mm
Box dimensions W x H x D	629 x 452 x 160mm
Weight (without box)	5kg
Weight (with box)	6.5kg
EAN code	4948570121465



All trademarks and registered trademarks acknowledged. E & O E. Specification subject to change without notice. All LCD's comply with ISO-9241-307:2008 in connection with pixel defects.

© IYAMA CORPORATION. ALL RIGHTS RESERVED