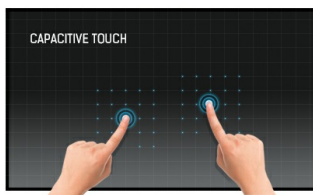




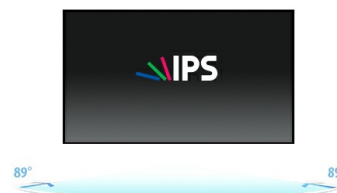
**24" P-CAP 10pt touch screen featuring IPS panel technology and Anti Glare coating**

With its Full HD (1920x1080) resolution and accurate Projective Capacitive 10 point touch technology, the ProLite T2454MSC-B1AG delivers seamless and accurate touch response. Featuring IPS LCD screen technology, it offers exceptional colour performance and wide viewing angles, making it a perfect choice for a vast array of interactive applications. The Anti Glare coating helps to avoid issues with reflections and external light sources affecting colour reproduction, contrast and sharpness. Its flexible stand can be positioned at several angles creating a comfortable and ergonomic user experience. The ProLite T2454MSC-B1AG is the ideal solution for interactive signage, instore retail, POS and interactive presentations.



**Touch technology - Capacitive**

This technology uses a sensor-grid of micro-fine wires integrated into the glass that covers the screen. Touch is detected because electrical characteristics of the sensor grid change when human finger is placed on the glass. Thanks to the glass overlay this technology is highly durable, and the touch function remains unaffected even if the glass is scratched. It offers perfect picture performance and will work with human finger (also latex gloved) and stylus-pen.



**IPS**

IPS displays are best known for wide viewing angles and natural, highly accurate colours. They are especially suited for colour-critical applications.

## 01 DISPLAY CHARACTERISTICS

<b>Design</b>	Ultra thin bezel
<b>Diagonal</b>	23.8", 60.5cm
<b>Panel</b>	IPS LED, AG surface finish
<b>Native resolution</b>	1920 x 1080 @60Hz (2.1 megapixel Full HD)
<b>Aspect ratio</b>	16:9
<b>Panel brightness</b>	250 cd/m <sup>2</sup>
<b>Static contrast</b>	1000:1
<b>Advanced contrast</b>	5M:1
<b>Response time (GTG)</b>	4ms
<b>Viewing zone</b>	horizontal/vertical: 178°/178°, right/left: 89°/89°, up/down: 89°/89°
<b>Colour support</b>	16.7mIn 8bit
<b>Horizontal Sync</b>	30 - 80kHz
<b>Viewable area W x H</b>	527.04 x 296.46mm, 20.7 x 11.7"
<b>Pixel pitch</b>	0.274mm
<b>Bezel colour and finish</b>	black, matte

## 02 TOUCH

<b>Touch technology</b>	projective capacitive
<b>Touch points</b>	10 (HID, only with supported OS)
<b>Touch method</b>	stylus, finger, glove (latex)
<b>Touch interface</b>	USB
<b>Supported operating systems</b>	All iiyama monitors are Plug & Play and compatible with Windows and Linux. For details regarding the supported OS for the touch models, please refer to the driver instruction file available in the downloads section.
<b>Palm rejection</b>	yes

## 03 INTERFACES / CONNECTORS / CONTROLS

<b>Analog signal input</b>	VGA x1
<b>Digital signal input</b>	HDMI x1
<b>Audio output</b>	Speakers 2 x 2W
<b>HDCP</b>	yes
<b>USB HUB</b>	x2 (v.3.2 (Gen 1, 5Gbit))

## 04 FEATURES

<b>OSD key lock</b>	yes
---------------------	-----

## 05 GENERAL

<b>OSD languages</b>	EN, DE, FR, ES, IT, PT, RU, JP, NL, PL
<b>Control buttons</b>	Auto, + Up, - Down, Menu, Power
<b>User controls</b>	Picture adjust (brightness, contrast, Eco, i-Style Color, adv. contrast), Geometry (pixel clock, phase, horizontal position, vertical position, aspect), Color settings (gamma, color temp), OSD (OSD horizontal position, OSD vertical position, OSD time, language, auto power off, touch wake up), Extra (reset, signal select, audio input, opening logo, LED, Overdrive, Information, volume, auto adjust)
<b>Convenience</b>	Kensington-lock™ prepared

Blue light reducer	yes
--------------------	-----

Plug&Play	DDC2B
-----------	-------

## 06 MECHANICAL

Height adjustment	268mm
-------------------	-------

Tilt angle	5° up; 90° down
------------	-----------------

VESA mounting	100 x 100mm
---------------	-------------

MTBF	30000 hours (excluding backlight)
------	-----------------------------------

## 07 ACCESSORIES INCLUDED

Cables	power (1.8m), USB (1.8m), HDMI (1.8m)
--------	---------------------------------------

Guides	quick start guide, safety guide
--------	---------------------------------

## 08 POWER MANAGEMENT

Power supply unit	internal
-------------------	----------

Power supply	AC 100 - 240V, 50/60Hz
--------------	------------------------

Power usage	23.7W typical, 0.46W stand by, 0.29W off mode
-------------	-----------------------------------------------

## 09 SUSTAINABILITY

Regulations	CB, CE, TÜV-Bauart, EAC, VCCI-B, RoHS support, ErP, WEEE, REACH
-------------	-----------------------------------------------------------------

Energy efficiency class (Regulation (EU) 2017/1369)	F
-----------------------------------------------------	---

EPEAT	T2454MSC-B1AG A
-------	-----------------

REACH SVHC	above 0.1%: Lead
------------	------------------

## 10 DIMENSIONS / WEIGHT

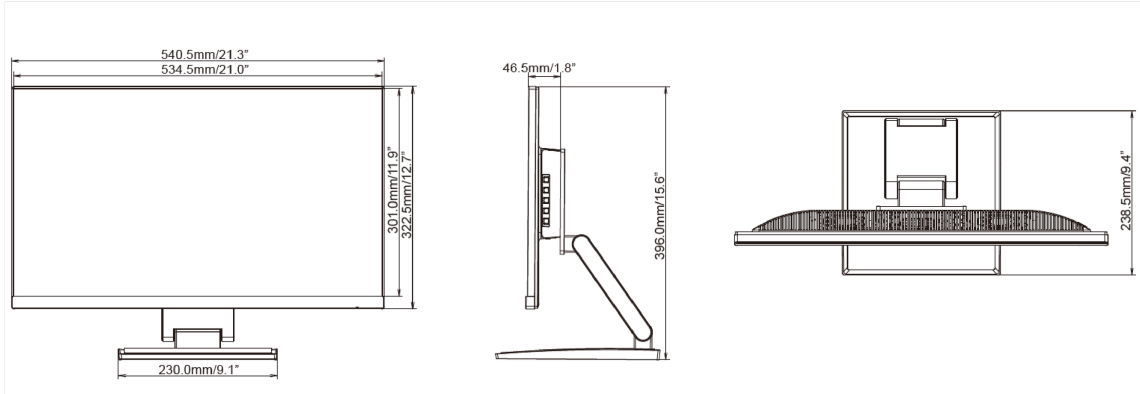
Product dimensions W x H x D	540.5 x 388 x 128mm
------------------------------	---------------------

Box dimensions W x H x D	601 x 408 x 175mm
--------------------------	-------------------

Weight (without box)	5.5kg
----------------------	-------

Weight (with box)	7.4kg
-------------------	-------

EAN code	4948570116416
----------	---------------



All trademarks and registered trademarks acknowledged. E & O E. Specification subject to change without notice. All LCD's comply with ISO-9241-307:2008 in connection with pixel defects.

© IIYAMA CORPORATION. ALL RIGHTS RESERVED