



### 15.6" Full HD PCAP 10 point Open Frame touchscreen featuring IPS Panel Technology

The ProLite TF1634MC-B7X uses projective capacitive touch technology, built into an eye catching bezel with edge-to-edge glass. Featuring IPS Panel Technology and Full HD (1920x1080) resolution, it offers natural, highly accurate colours and wide viewing angles. In addition to the superb image quality, the screen comes with an IP65 rating, which means the screen and bezel is totally dust and water resistant, making it a perfect solution for demanding kiosk installations. For ease of integration, the TF1634MC-B7X can be equipped with optional external mounting brackets ([OMK1-1](#)) making it an ideal solution for kiosk integrators and Instore Retail.



#### IPS Technology

IPS technology offers higher contrast, darker blacks and much better viewing angles than standard TN technology. The screen will look good no matter what angle you look at it.



#### Full HD

With true 1920 x 1080p resolution your monitor is ready to display high definition images. This means you can accommodate more information on your screen; e.g. 60% more in comparison to a 1280 x 1024 monitor.

## 01 DISPLAY CHARACTERISTICS

<b>Design</b>	Edge to edge glass, Open Frame
<b>Diagonal</b>	15.6", 39.5cm
<b>Panel</b>	IPS Panel Technology LED
<b>Native resolution</b>	1920 x 1080 @60Hz (2.1 megapixel)
<b>Aspect ratio</b>	16:9
<b>Panel brightness</b>	450 cd/m <sup>2</sup>
<b>Brightness</b>	405 cd/m <sup>2</sup> with touch
<b>Light transmittance</b>	90%
<b>Static contrast</b>	700:1 with touch
<b>Response time (GTG)</b>	25ms
<b>Viewing zone</b>	horizontal/vertical: 178°/178°, right/left: 89°/89°, up/down: 89°/89°
<b>Colour support</b>	16.2mln (6bit + Hi-FRC)
<b>Horizontal Sync</b>	30 - 84kHz
<b>Viewable area W x H</b>	344.2 x 193.5mm, 13.6 x 7.6"
<b>Pixel pitch</b>	0.179mm
<b>Bezel colour and finish</b>	black, matte

## 02 TOUCH

<b>Touch technology</b>	projective capacitive
<b>Touch points</b>	10 (HID, only with supported OS)
<b>Touch method</b>	stylus, finger, glove (latex)
<b>Touch interface</b>	USB2.0 (USB-C input connector)
<b>Supported operating systems</b>	All iiyama monitors are Plug & Play and compatible with Windows and Linux. For details regarding the supported OS for the touch models, please refer to the driver instruction file available in the downloads section.

## 03 INTERFACES / CONNECTORS / CONTROLS

<b>Analog signal input</b>	VGA x1
<b>Digital signal input</b>	HDMI x1 DisplayPort x1
<b>HDCP</b>	yes

## 04 FEATURES

<b>Extra</b>	anti-fingerprint coating
<b>Glass thickness</b>	2.4mm
<b>Glass hardness</b>	7H
<b>Water and dust protection</b>	IP65 (front)
<b>OSD key lock</b>	yes

## 05 GENERAL

<b>OSD languages</b>	EN, DE, FR, ES, IT, CN, JP
<b>Control buttons</b>	Menu, Scroll up/ Brightness, Scroll down/ Contrast, Select, Power
<b>User controls</b>	picture (contrast, brightness, H-position, V-position, phase, clock, auto adjust), advanced (color temp., sharpness), OSD (timeout, position, H-position, V-position), option (reset, language, source select, display mode, factory)

Plug&Play	DDC2B
-----------	-------

## 06 MECHANICAL

Orientation	landscape, portrait, face-up
VESA mounting	100 x 100mm

## 07 ACCESSORIES INCLUDED

Cables	power, USB, HDMI, DP
Guides	quick start guide, safety guide
Other	AC adapter

## 08 POWER MANAGEMENT

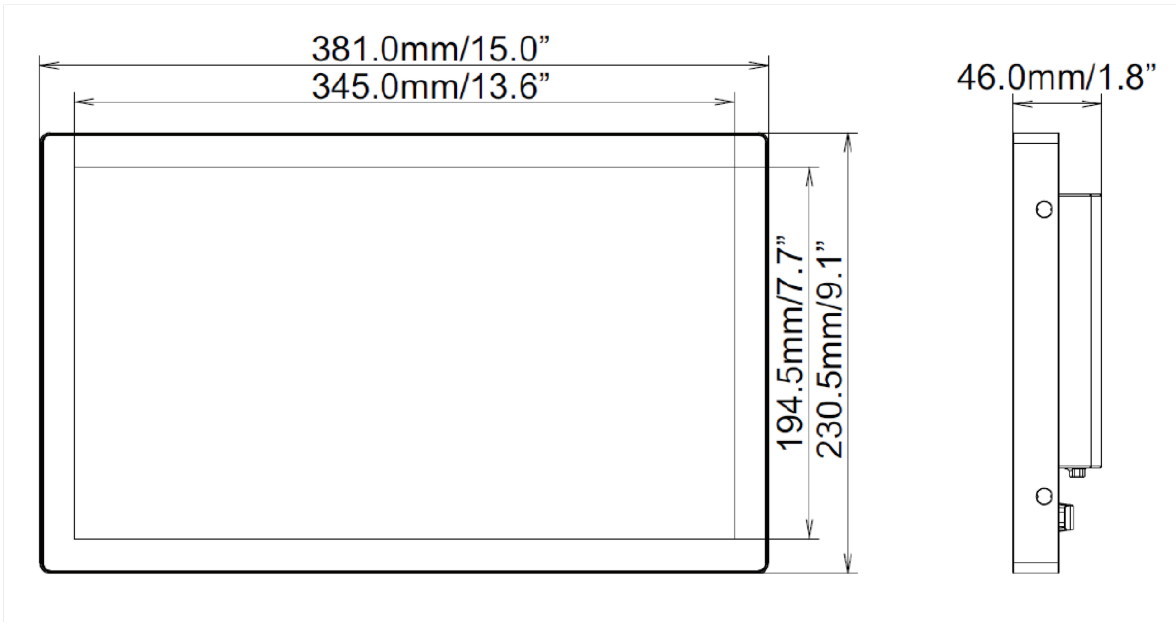
Power supply unit	external
Power supply	DC 12 V
Power usage	18W typical, 0.5W stand by, 0.5W off mode

## 09 SUSTAINABILITY

Regulations	CE, EAC, RoHS support, ErP, WEEE, cULus, REACH
REACH SVHC	above 0.1%: Lead

## 10 DIMENSIONS / WEIGHT

Product dimensions W x H x D	381 x 230.5 x 46mm
Box dimensions W x H x D	455 x 365 x 290mm
Weight (without box)	2.0kg
Weight (with box)	6.6kg
EAN code	4948570117628



*All trademarks and registered trademarks acknowledged. E & O E. Specification subject to change without notice. All LCD's comply with ISO-9241-307:2008 in connection with pixel defects.*

© IIYAMA CORPORATION. ALL RIGHTS RESERVED