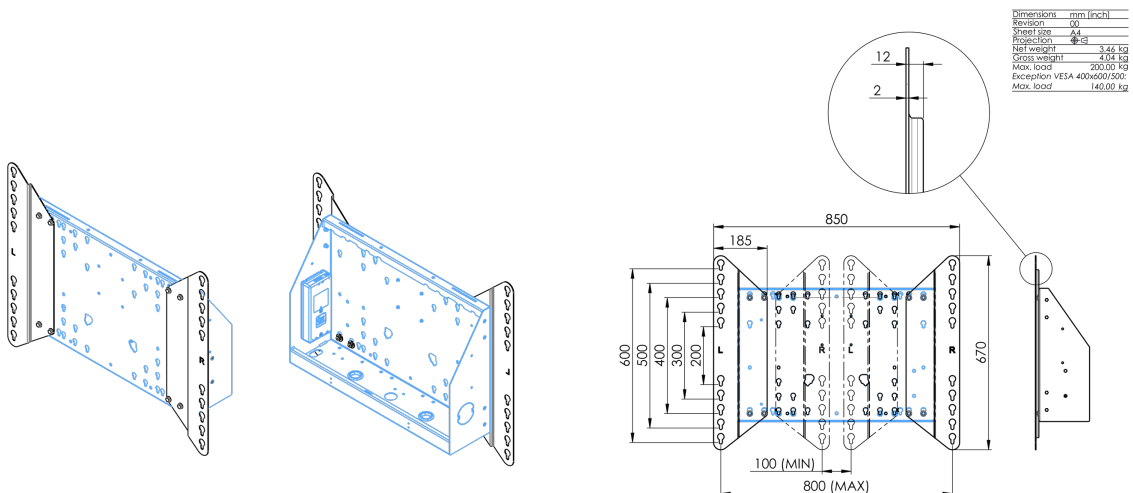


## Adapter for floor lifts

Expansion set for floor lifts and cars, increases VESA compatibility from standard 600x400 up to max. 800x600.

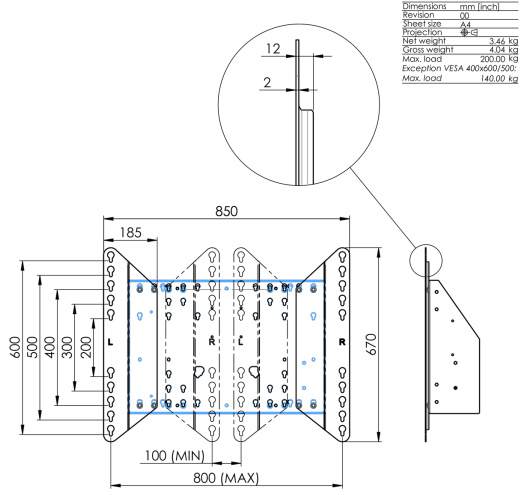
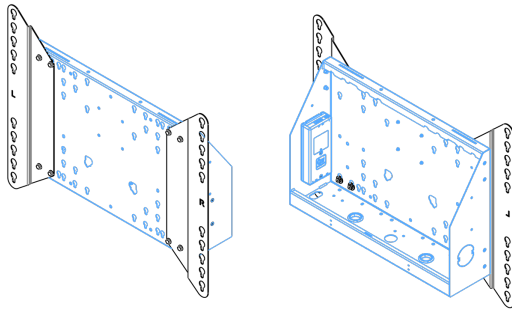
### 01 TECHNICAL SPECIFICATION

|                     |                 |
|---------------------|-----------------|
| Type                | Adapter set     |
| Max weight capacity | 200kg / monitor |
| VESA minimum        | 800 x 200mm     |
| VESA maximum        | 800 x 600mm     |



### 02 DIMENSIONS / WEIGHT

|                      |               |
|----------------------|---------------|
| Weight (without box) | 3.46kg        |
| EAN code             | 4948570032570 |



| Dimensions                 | mm (inch) |
|----------------------------|-----------|
| Revision                   | 00        |
| Sheet Size                 | A4        |
| Production                 | 4-15      |
| Net weight                 | 3.46 kg   |
| Gross weight               | 4.04 kg   |
| Max. load                  | 500.00 kg |
| Exception VESA 400x500/500 |           |
| Max. load                  | 140.00 kg |

### 03 RELATED INFORMATION

Related products

[MD 062B7275 A](#), [MD 062B7295](#), [MD 052W7150](#)

*All trademarks and registered trademarks acknowledged. E & O E. Specification subject to change without notice. All LCD's comply with ISO-9241-307:2008 in connection with pixel defects.*

© IIYAMA CORPORATION. ALL RIGHTS RESERVED