



### 15.6" Full HD 10 point PCAP Open Frame touchscreen featuring IPS Panel Technology and touch through glass function

The ProLite TF1634MC-B8X uses projective capacitive touch technology, built into an eye catching bezel with edge-to-edge glass. Featuring IPS Panel Technology and Full HD (1920x1080) resolution, it offers natural, highly accurate colours and wide viewing angles. The Touch-Through-Glass function guarantees a seamless and accurate touch response for interactive behind-glass-retail applications. In addition to the superb image quality, the screen comes with an IP65 rating, which means the screen and bezel is totally dust and water resistant, making it a perfect solution for demanding kiosk installations. For ease of integration, the TF1634MC-B8X can be equipped with optional external mounting brackets ([OMK1-1](#)) making it an ideal solution for kiosk integrators and Instore Retail.



#### IPS Technology

IPS displays are best known for wide viewing angles and natural, highly accurate colours. They are especially suited for colour-critical applications.



#### Touch Through-Glass

This through glass touch screen works right through glass and can turn glass surfaces into an interactive touch screen display. Use it on storefront windows, real estate office, in-store for POS or restaurants.

## 01 DISPLAY CHARACTERISTICS

<b>Design</b>	Edge to edge glass, Open Frame
<b>Diagonal</b>	15.6", 39.5cm
<b>Panel</b>	IPS Panel Technology LED
<b>Native resolution</b>	1920 x 1080 @60Hz (2.1 megapixel)
<b>Aspect ratio</b>	16:9
<b>Panel brightness</b>	450 cd/m <sup>2</sup>
<b>Brightness</b>	405 cd/m <sup>2</sup> with touch
<b>Light transmittance</b>	90%
<b>Static contrast</b>	700:1 with touch
<b>Response time (GTG)</b>	25ms
<b>Viewing zone</b>	horizontal/vertical: 178°/178°, right/left: 89°/89°, up/down: 89°/89°
<b>Colour support</b>	16.2mln (6bit + Hi-FRC)
<b>Horizontal Sync</b>	30 - 84kHz
<b>Viewable area W x H</b>	344.2 x 193.6mm, 13.6 x 7.6"
<b>Pixel pitch</b>	0.179mm
<b>Bezel colour and finish</b>	black, matte

## 02 TOUCH

<b>Touch technology</b>	projective capacitive
<b>Touch points</b>	10 (HID, only with supported OS)
<b>Touch method</b>	stylus, finger, glove (latex)
<b>Touch interface</b>	USB
<b>Supported operating systems</b>	All iiyama monitors are Plug & Play and compatible with Windows and Linux. For details regarding the supported OS for the touch models, please refer to the driver instruction file available in the downloads section.
<b>Through-Glass</b>	6mm
<b>Palm rejection</b>	yes

## 03 INTERFACES / CONNECTORS / CONTROLS

<b>Analog signal input</b>	VGA x1
<b>Digital signal input</b>	HDMI x1 DisplayPort x1
<b>HDCP</b>	yes

## 04 FEATURES

<b>Extra</b>	Anti-fingerprint coating, touch through-glass
<b>Glass thickness</b>	2.4mm
<b>Glass hardness</b>	7H
<b>Water and dust protection</b>	IP65 (front)
<b>OSD key lock</b>	yes

## 05 GENERAL

<b>OSD languages</b>	EN, DE, FR, ES, IT, CN, JP
<b>Control buttons</b>	Menu, Scroll up/ Brightness, Scroll down/ Contrast, Select, Power

**User controls**

picture (contrast, brightness, H-position, V-position, phase, clock, auto adjust), advanced (color temp., sharpness), OSD (timeout, position, H-position, V-position, touch switch), option (reset, language, source select, display mode, factory)

**Plug&Play**

DDC2B

**06 MECHANICAL****Orientation**

landscape, portrait, face-up

**VESA mounting**

100 x 100mm

**07 ACCESSORIES INCLUDED****Cables**

power, USB, HDMI, DP

**Guides**

quick start guide, safety guide

**Other**

AC adapter

**08 POWER MANAGEMENT****Power supply unit**

external

**Power supply**

DC 12 V

**Power usage**

18W typical, 1.5W stand by, 0.3W off mode

**09 SUSTAINABILITY****Regulations**

CE, EAC, RoHS support, ErP, WEEE, cULus, REACH

**Energy efficiency class (Regulation (EU) 2017/1369)**

F

**REACH SVHC**

above 0.1%: Lead

**10 DIMENSIONS / WEIGHT****Product dimensions W x H x D**

381 x 230.5 x 46mm

**Box dimensions W x H x D**

455 x 365 x 290mm

**Weight (without box)**

2.0kg

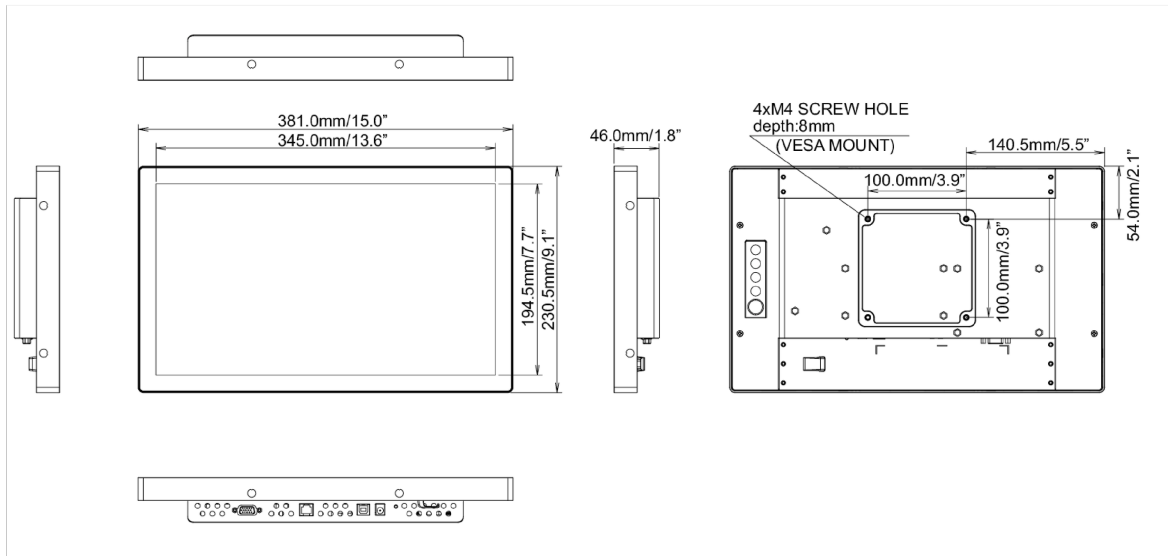
**Weight (with box)**

3.9kg

**EAN code**

4948570118342

# ProLite TF1634MC-B8X



All trademarks and registered trademarks acknowledged. E & O E. Specification subject to change without notice. All LCD's comply with ISO-9241-307:2008 in connection with pixel defects.

© IIYAMA CORPORATION. ALL RIGHTS RESERVED