



An Intel® i5 slot PC with Windows® 10 IoT Enterprise and TPM 2.0 (Trusted Platform Module)

This mini PC with Intel® Core™ i5 inside turns your iiyama interactive large format display into a stand-alone solution. It comes equipped with a powerful Intel® processor with integrated Ultra HD graphics and a fast SSD drive. No hassle with cables and having to mount a PC at the back of the monitor or on a floor lift. Simply slide in the iiyama slot PC and get started right away.

The module is only compatible with the iiyama TExx04MIS* Series; 65": [TE6504MIS-B1AG](#) / [TE6504MIS-B2AG](#) , 75": [TE7504MIS-B1AG](#) / [TE7504MIS-B2AG](#), 86": [TE8604MIS-B1AG](#) / [TE8604MIS-B2AG](#)

*Excluding the 98" [ProLite TE9804MIS-B1AG](#)

01 DEVICE

| | |
|---------------------|--|
| Type | slot PC |
| CPU | Intel® Core™ i5-10400, TPM 2.0 (Trusted Platform Module) |
| RAM | 8GB DDR4 |
| SSD | 256GB M.2 |
| Graphics | Intel® HD Graphics UHD630 |
| Chipset | Intel® H410 |
| Sound card | Cmedia HS-100B |
| Network | 10/100/1000M Adapter |
| WiFi | 802.11/a/b/g/n/ac/ax (M.2) (2.4GHz/5GHz) |
| Bluetooth | 5.2 |
| Operating system | Win 10 IoT Enterprise 64-bit, Windows 11 compatible |
| LAN (RJ45) | x1 |
| USB | 3.0 x4, 3.1 (Type C) x1, 2.0 x2 |
| DisplayPort Out | x1 |
| HDMI Out | x1 |
| Headphone connector | yes |
| Microphone In | x1 |

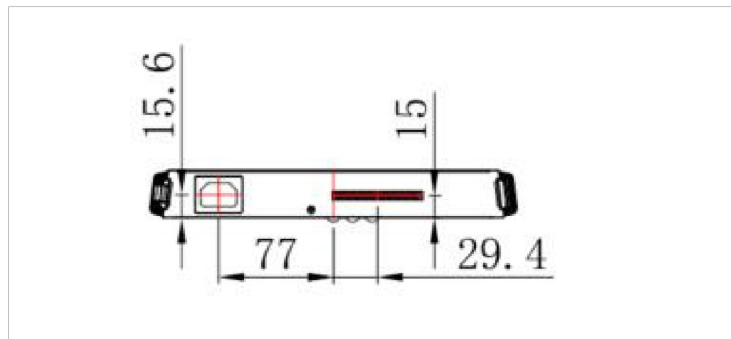
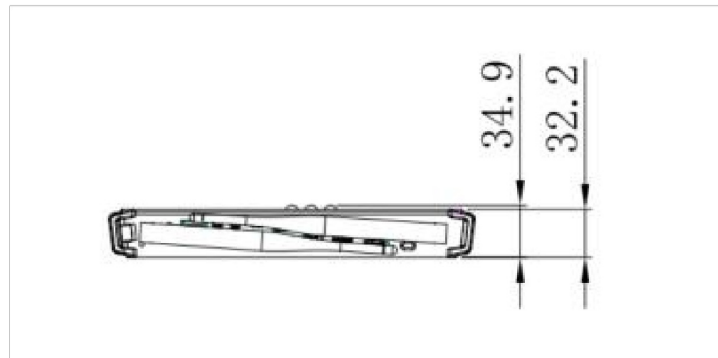
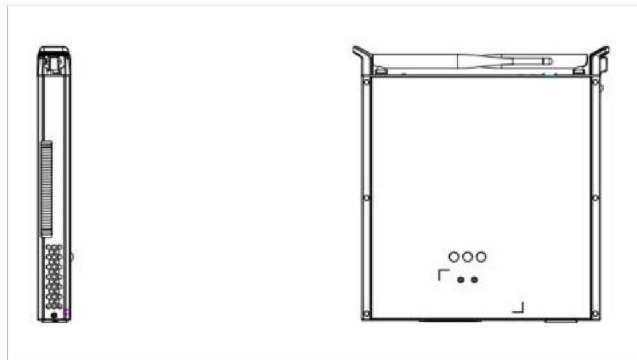
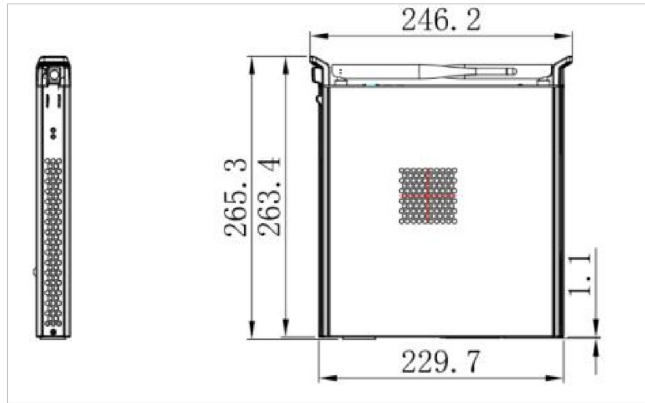
02 POWER MANAGEMENT

| | |
|--------------------------|---------------------------|
| Power supply unit | internal |
| Power supply | AC AC - 100V, 240/V, 50Hz |
| Power usage | 105W typical, 5W stand by |

03 DIMENSIONS / WEIGHT

| | |
|-------------------------------------|------------------------|
| Product dimensions W x H x D | 265.3 x 34.9 x 246.2mm |
| Box dimensions W x H x D | 317 x 103 x 358mm |
| Weight (without box) | 1.95kg |
| Weight (with box) | 3.25kg |
| EAN code | 4948570033065 |

SPC51001BC-1



04 ENVIRONMENTAL CONDITIONS

Operation temperature range

0°C - 45°C

Operation humidity

10% - 90%

Storage temperature range

- 20°C - +2°C

Storage humidity

10% - 90%

All trademarks and registered trademarks acknowledged. E & O E. Specification subject to change without notice. All LCD's comply with ISO-9241-307:2008 in connection with pixel defects.

© IYAMA CORPORATION. ALL RIGHTS RESERVED